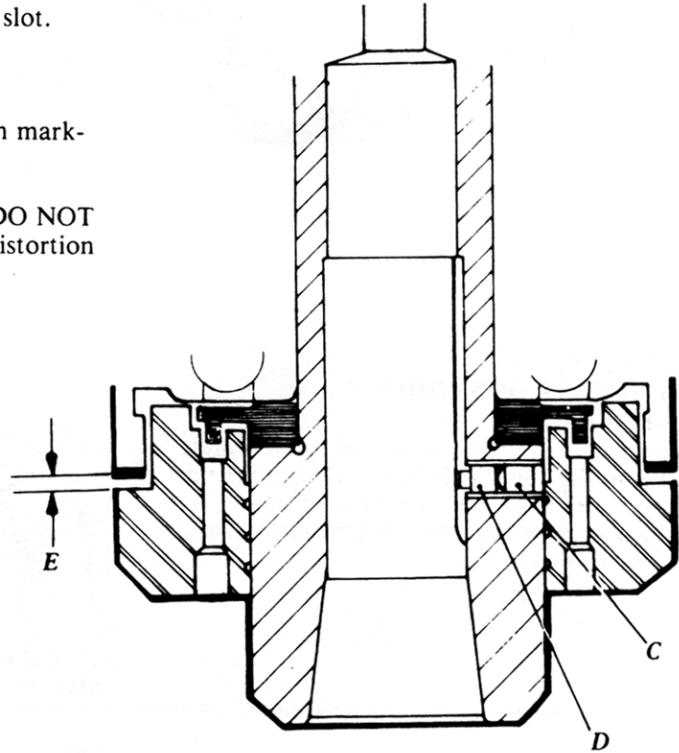
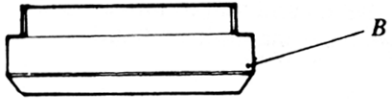
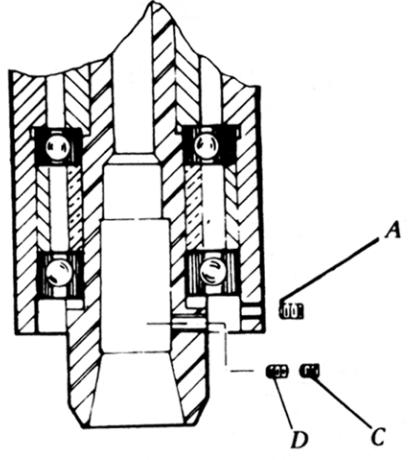



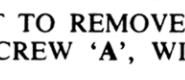
COLLET ALIGNING SCREW REPLACEMENT

- Use felt pen, marker reference line on quill and nose cap 'B'
- Remove set screw 'A'
- Unscrew nose cap 'B'
- Remove lock screw 'C' and collet aligning screw 'D'
- Replace 'D'; insert collet and check that the dog on the end of the screw does not interfere with the bottom of the guide slot.
- Replace lock screw 'C'
- Replace nose cap 'B'; check felt pen markings for correct alignment
- Replace set screw 'A'. CAUTION DO NOT OVERTIGHTEN as this will cause distortion
- Check gap 'E'. (.003" .08mm)





CAUTION



DO NOT ATTEMPT TO REMOVE NOSE CAP BEFORE REMOVING SET SCREW 'A', WILL CAUSE SERIOUS DAMAGE.